



CAPT-AIR®

8001 Rue Larrey, Anjou, QC, Canada, H1J 2L4
514-273-4331 • info@capt-air.com • www.capt-air.com

MOVEX

PRX

***Where there is great need
for an efficient and easily
maneuverable local extractor***

The MOVEX PRX local extractor is extremely easy to maneuver, while at the same time offering great positional stability, even with the extractor fully extended.

The extractor is equipped with a gas spring that balances the extractor's own weight. PRX – simply the obvious choice.

The suction nozzle can be angled through 90° in all directions (360°). In addition, the wall bracket has a 360° swivel function.

MOVEX always design their local extractors with external support. This allows for a low pressure drop and low risk of blockage. The smooth interior of the tubes makes the extractor very easy to clean.

The PRX is equipped with a knob for adjusting the friction joints. The knob is easy to adjust to the desired resistance. This makes the PRX unique on the market today.

The MOVEX PRX is available in lengths of 7/10/14/20/26/32 ft and in diameters of 5/6/8".



The Movex range also includes exhaust extractors, fans, filters, control units and workshop equipment.

**LOCAL EXTRACTOR
Pure advantage**

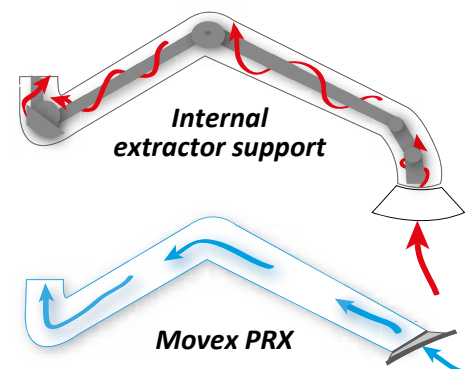


Always choose a low pressure drop

A low pressure drop always saves energy. A low pressure drop also produces less noise, reduces the risk of annoying ventilation sounds, and can more easily be combined with other extractors in the same system.

External supporting joints - flexibility and benefits

The external location of the link joints provides options for tube and hose diameters of 5, 6 and 8". The design of the joints bends the hose so as to provide optimal flow, thus giving the PRX extractor a pressure drop that is around 50% lower than extractors with internal link system.



Unique adjustment of friction joints

It is very easy to make the necessary adjustment to the friction joints. Unique to the PRX is that no tools are required. The knob is easy to adjust and provides great flexibility in the desired resistance.



Optimal hood design

The hood is designed for maximum extraction efficiency. It is ideal for capturing welding fumes and other hot contaminants. For isothermal (non-hot) contaminants, extraction efficiency can be further improved by taking advantage of the Coanda effect. This means that the air currents follow a regular and flat surface, such as a table or bench, rather than flowing freely through the room.



Models



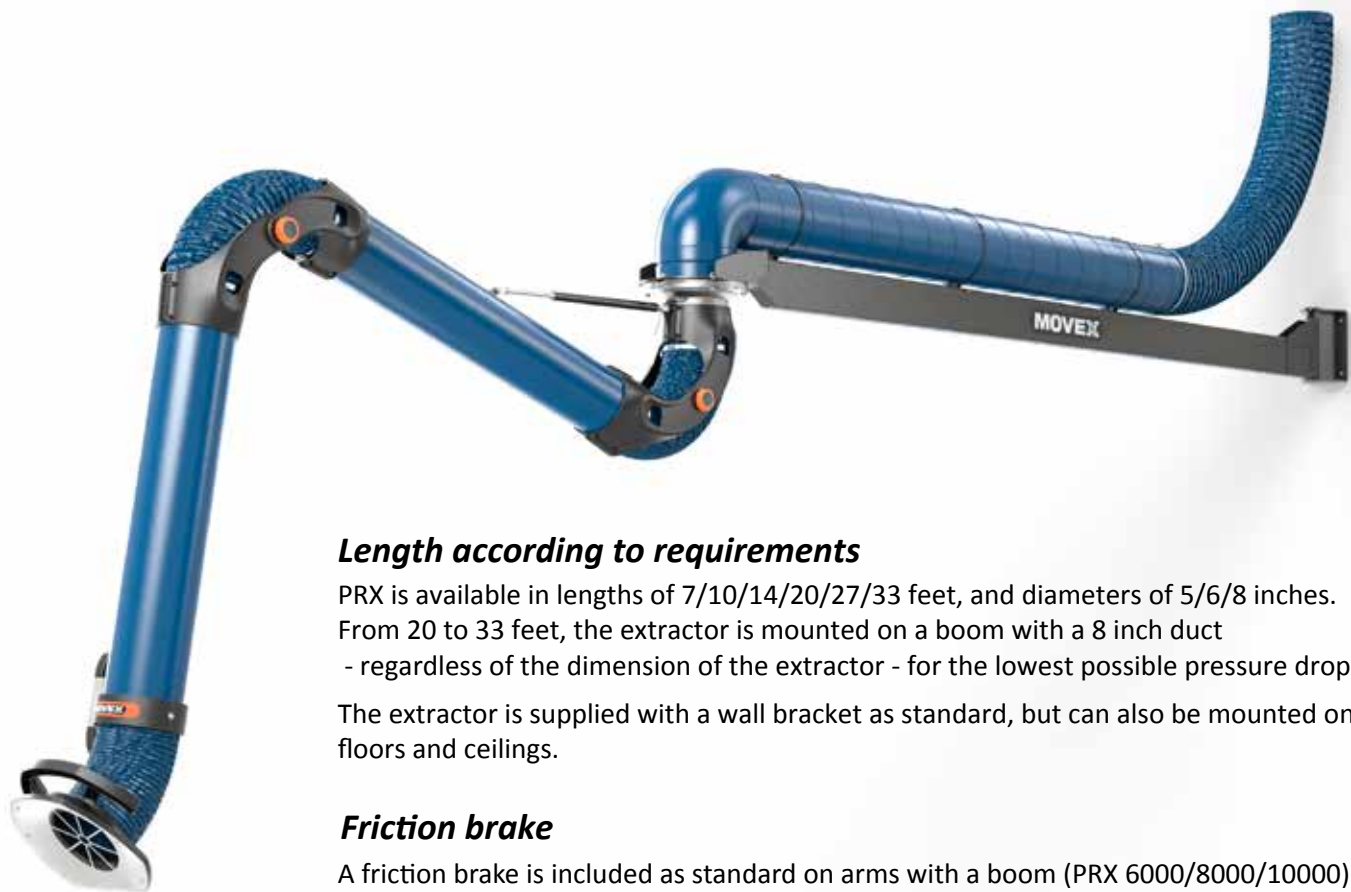
PRX | Standard

- 360° swivel in cast aluminum.
- Brackets in anthracite powder-coated steel.
- Joints in anthracite PA & PP.
- Tubes in blue powder-coated aluminum.
- Hose in blue PVC-coated polyamide fabric.
- Hood design as per EU standard. Injection-molded in anthracite PP with hood plate in anodized aluminum.



PRX | White

- 360° swivel in cast aluminum.
- Brackets in anthracite powder-coated steel.
- Joints in anthracite PA & PP.
- Tubes in white powder-coated aluminum.
- Hose in white PVC-coated polyamide fabric.
- Hood design in accordance with EU standard, injection moulded in white PP, handle in anthracite PP with hood plating in anodized aluminum.



Length according to requirements

PRX is available in lengths of 7/10/14/20/27/33 feet, and diameters of 5/6/8 inches. From 20 to 33 feet, the extractor is mounted on a boom with a 8 inch duct - regardless of the dimension of the extractor - for the lowest possible pressure drop. The extractor is supplied with a wall bracket as standard, but can also be mounted on floors and ceilings.

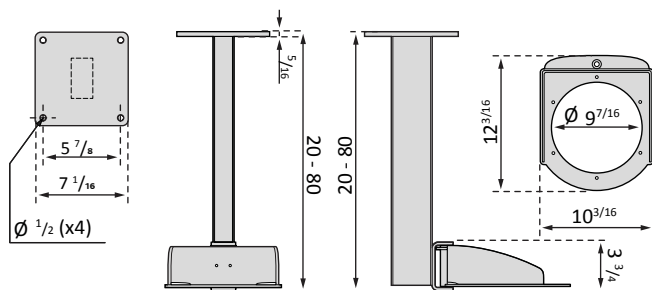
Friction brake

A friction brake is included as standard on arms with a boom (PRX 6000/8000/10000). The brake is mounted under the wall bracket, which makes the extractor more easily maneuverable and ensures that the extractor retains the selected position.

Ceiling and floor brackets

PTXA

Ceiling and floor brackets for PRX extractors. Available in lengths of 20/39/59/79/87 inches. Rotatable 360°. Fits PRX 2000/3000/4000.

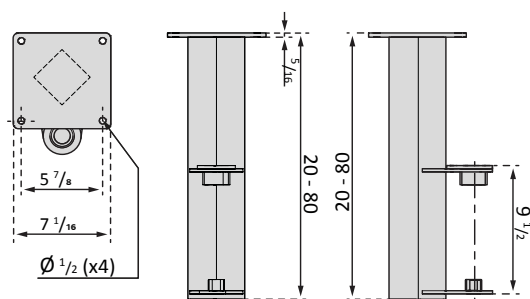


PTXA Article	Length (in)	Weight (lb)
PTXA 500	20	18,5
PTXA 1000	39	24
PTXA 1500	59	29,5
PTXA 2000	79	35,5
PTXA 2200*	87	38,4

* Floor bracket.

PTZ

Ceiling and floor brackets for PRX extractor with boom. Available in lengths of 20/39/59/79/99 inches. Rotatable 180°. Fits PRX 6000.

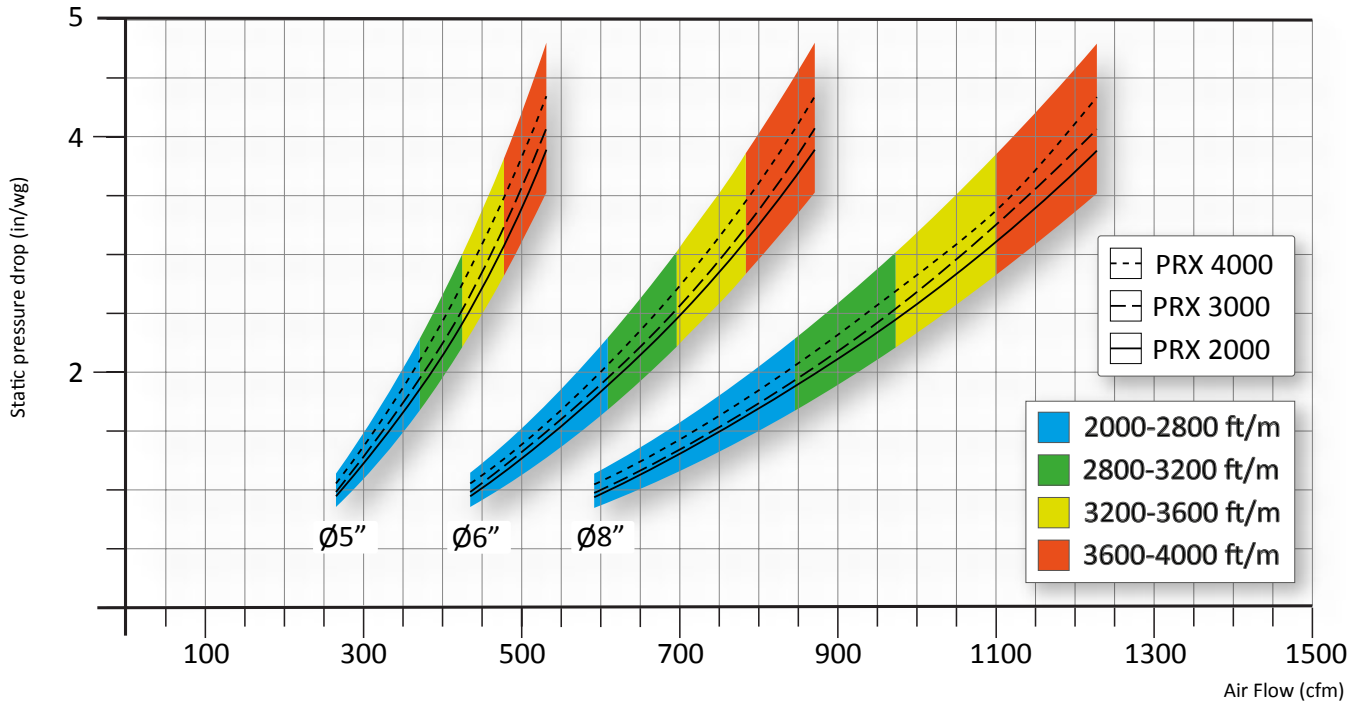


PTZ Article	Length (in)	Weight (lb)
PTZ 500	20	16,8
PTZ 1000	39	26,5
PTZ 1500	59	36,6
PTZ 2000	79	46,7
PTZ 2500*	99	56,7

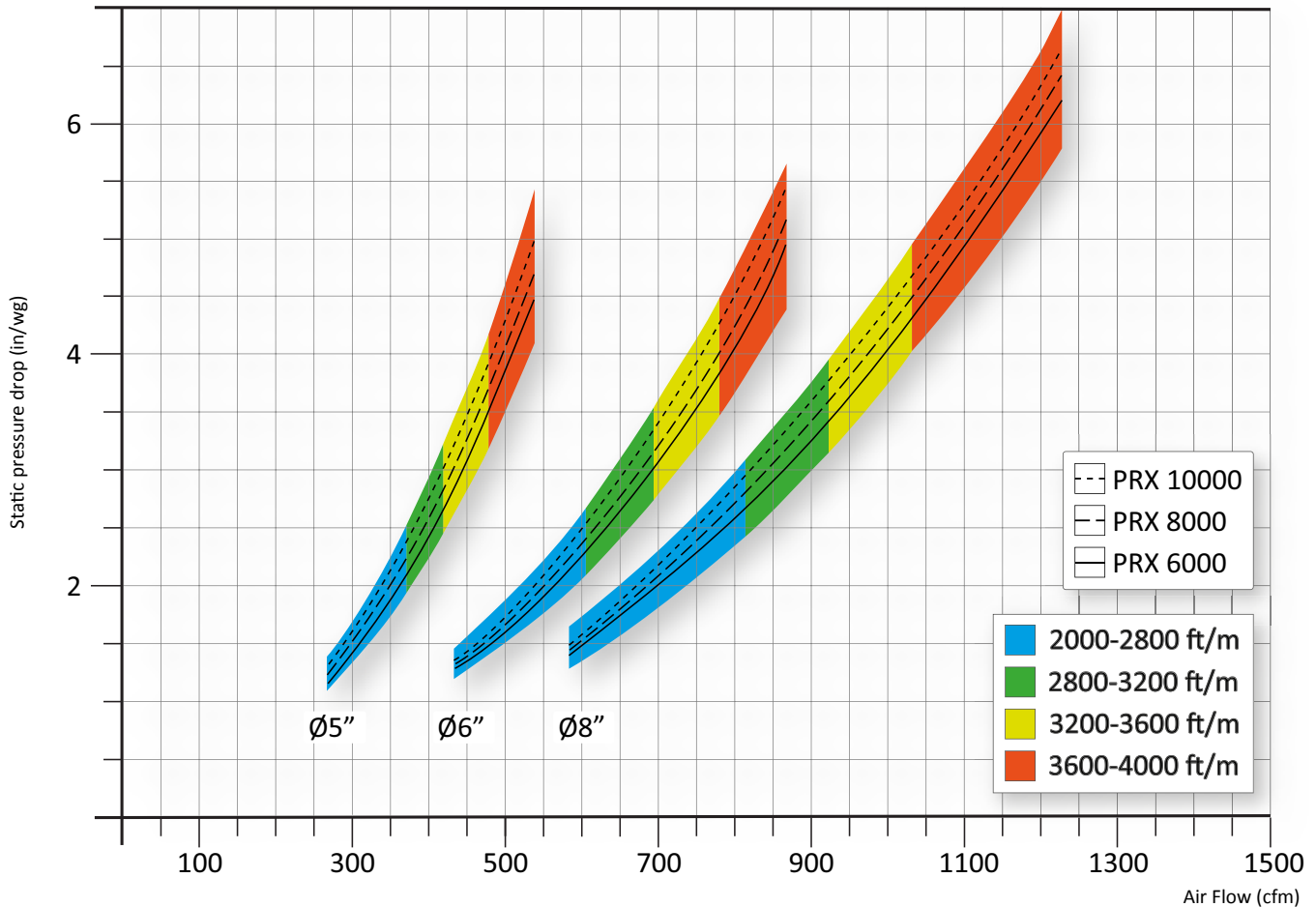
* Floor bracket.

Flow & pressure drop diagram

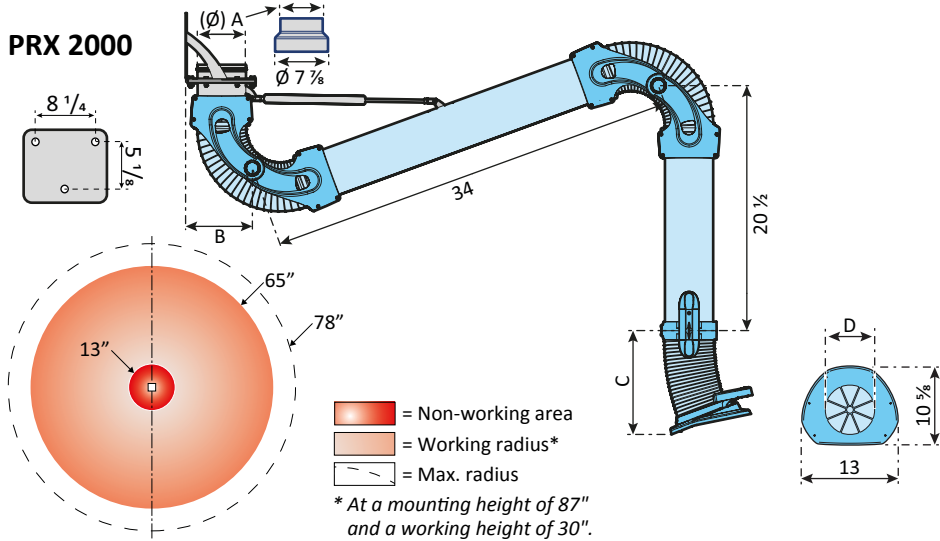
PRX 2000 - 4000



PRX 6000-10000

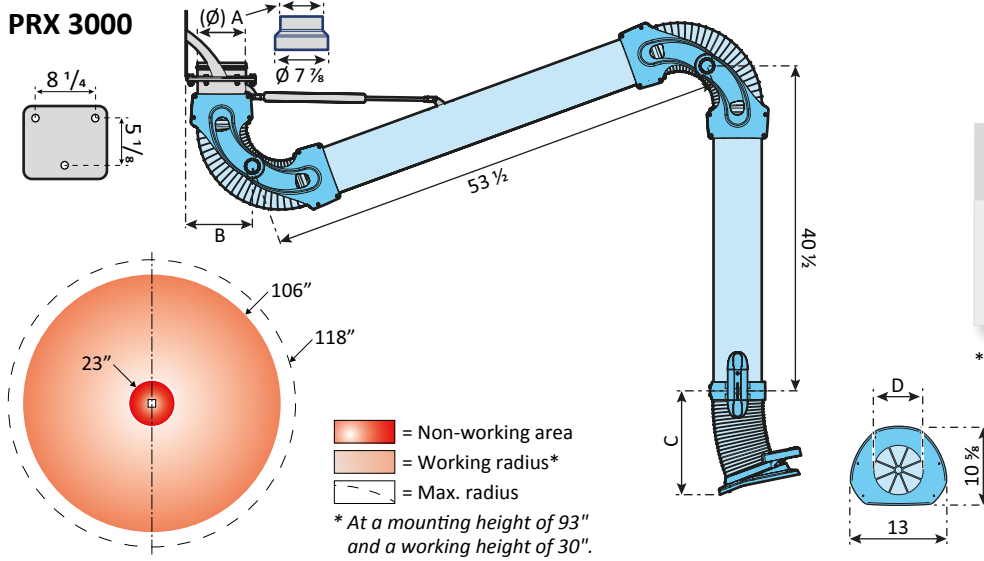


Dimension drawing (inches)



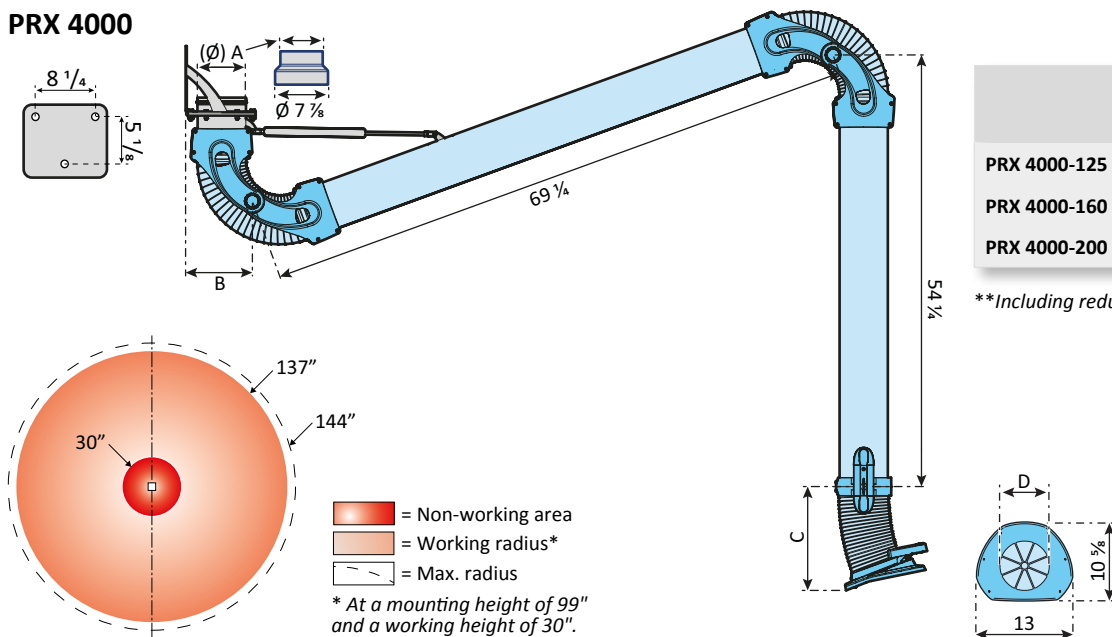
	A (∅ in)	B (in)	C (in)	D (∅ in)
PRX 2000-125	5**	7 1/2	13 1/2	5*
PRX 2000-160	6**	8 3/4	13 1/2	6*
PRX 2000-200	8	10 3/8	14	8

**Including reducer.



	A (∅ in)	B (in)	C (in)	D (∅ in)
PRX 3000-125	5**	7 1/2	13 1/2	5*
PRX 3000-160	6**	8 3/4	13 1/2	6*
PRX 3000-200	8	10 3/8	14	8

**Including reducer.

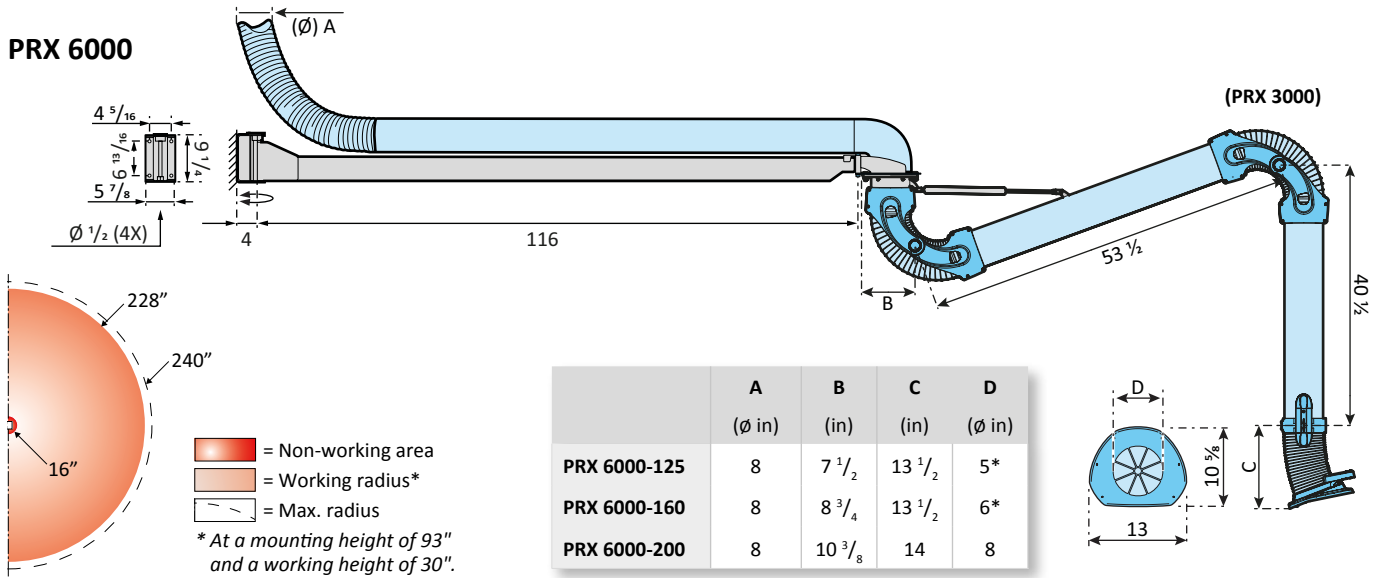


	A (∅ in)	B (in)	C (in)	D (∅ in)
PRX 4000-125	5**	7 1/2	13 1/2	5*
PRX 4000-160	6**	8 3/4	13 1/2	6*
PRX 4000-200	8	10 3/8	14	8

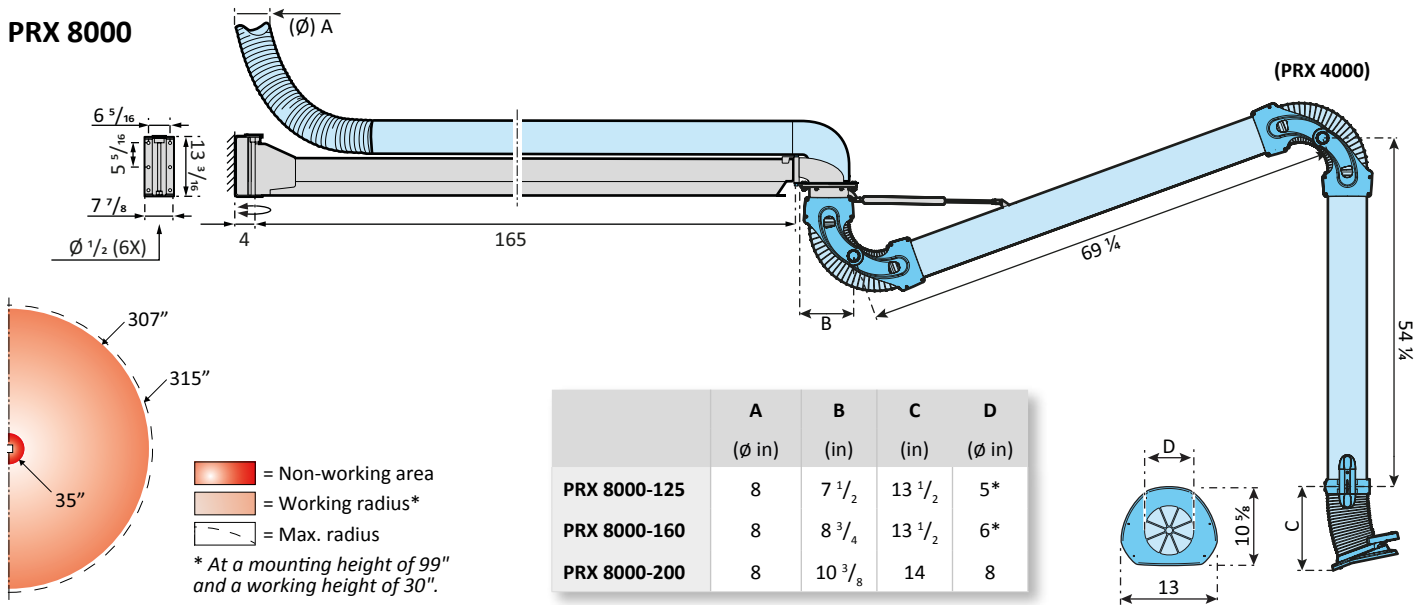
**Including reducer.

Dimension drawing (inches)

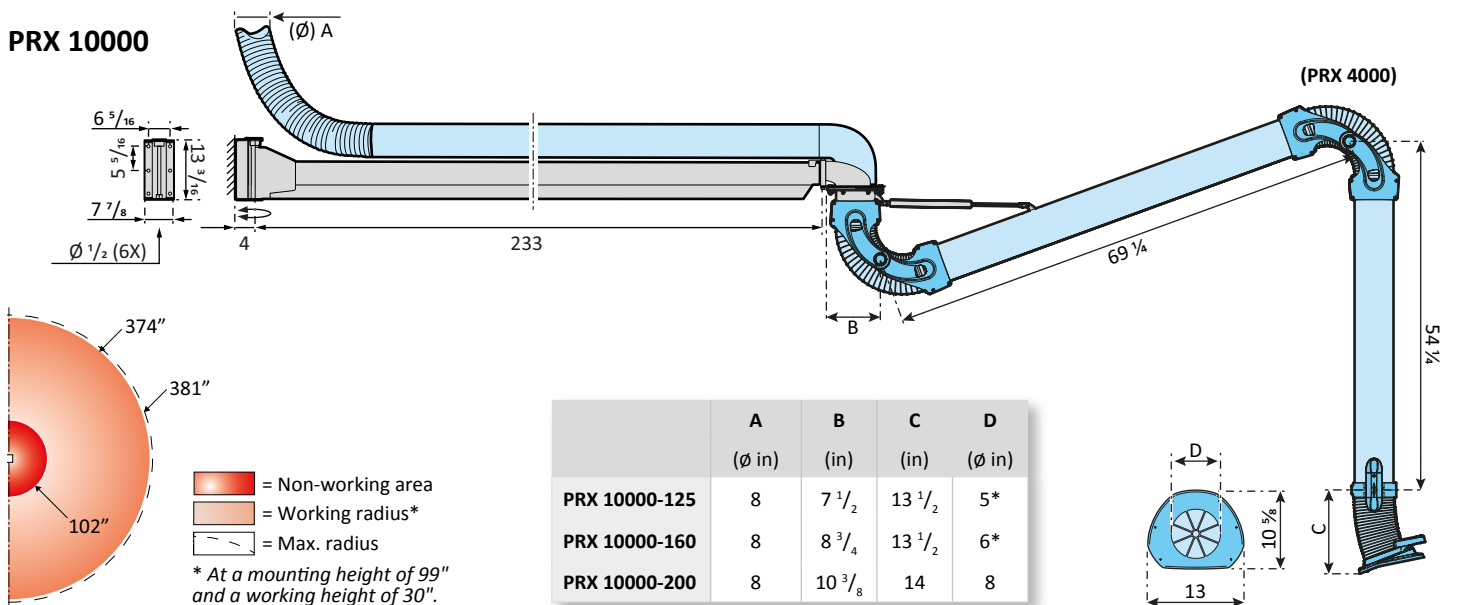
PRX 6000



PRX 8000



PRX 10000

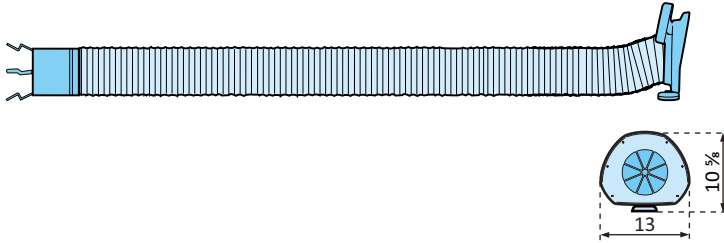


Accessories

Extension hose

With magnetic nozzle and quick connection adapted to the PRX arm.

- Hose**PVC coated polyamide weave with fully embedded spring steel coil.
- Temperature range**14 °F to 190 °F
- Plastic components**PA, PA 30 %
- Aluminum components**....Anodized
- Steel components**.....Black oxidized, chromed or powder coated.



Article	Description	Ø (in)	Length (ft)	Weight (lb)
PFS -125/4	Extension hose	5	13	9
PFS -125/8	Extension hose	5	26	12
PFS -160/4	Extension hose	6	13	9
PFS -160/8	Extension hose	6	26	12

Specifications

Form of delivery

The extractor is supplied partially assembled, including a wall bracket, for simple installation.

Surface treatment

- Plastic parts PA, PA 30 %.
- Aluminum parts Anodized.
- Steel parts Blackened finish, zinc-plated or powder-coated.

Hose type

PVC. Non-inflammable, suitable for welding fumes and flue gases. 14°F to 194°F.

Weight (lb)

	Ø5"	Ø6"	Ø8"
PRX 2000	27	32	33
PRX 3000	29	36	40
PRX 4000	31	38	44
PRX 6000	67	73	75
PRX 8000	114	120	124
PRX 10000	147	153	154

