



**CAPT-AIR®**

8001 Rue Larrey, Anjou, QC, Canada, H1J 2L4  
514-273-4331 • info@capt-air.com • www.capt-air.com

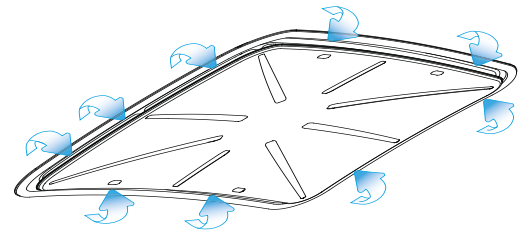
# MOVEX®

# PRG

## *The ideal extractor for industrial environments*

Movex PRG is based upon the PR arm that with new technology in combination with new materials and a focus on design gives Movex PRG many new and important advantages:

- Unique ease of manoeuvrability.
- High positional stability.
- Hood in PVC designed for maximum capture efficiency and extraction.



PRG's design is based on Movex's basic principles:

- External arm support.
- Supplied partially assembled for ease of installation.

PRG can be equipped with LED lighting and/or switch to control fan/damper.

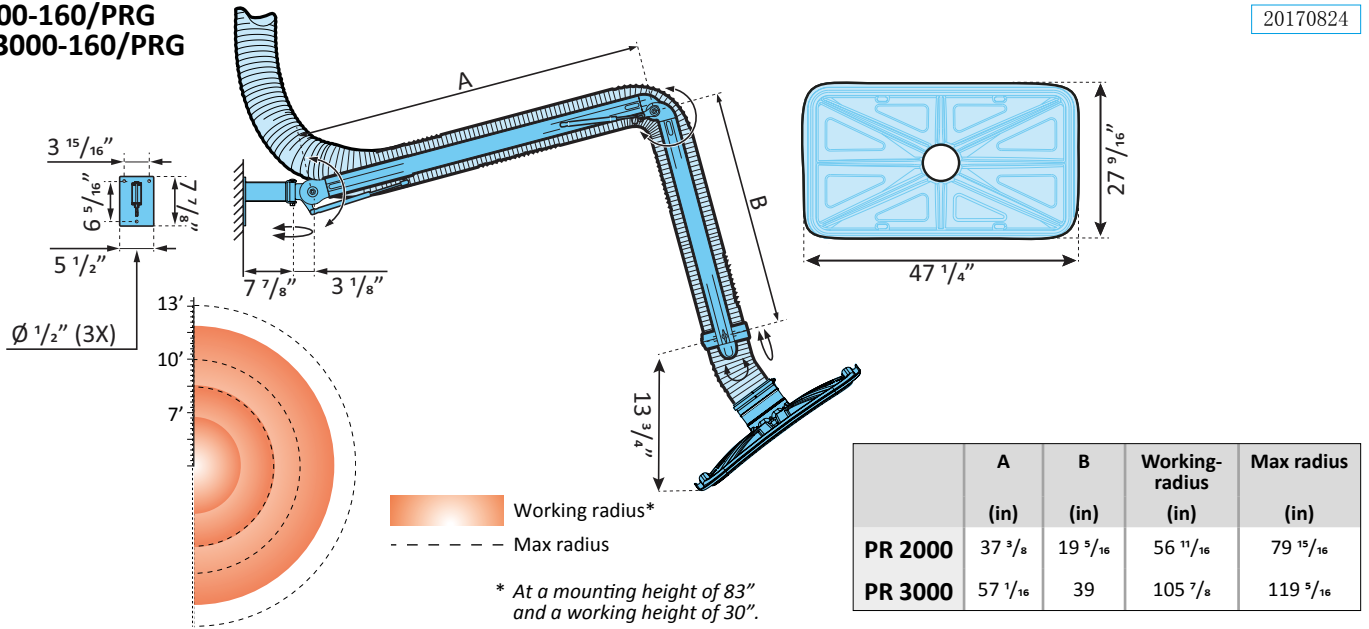
Movex PRG is available in the lengths 7', 10', & 13'.

*The Movex range also includes fans, accessories, automatic control gear and filters for local extraction*

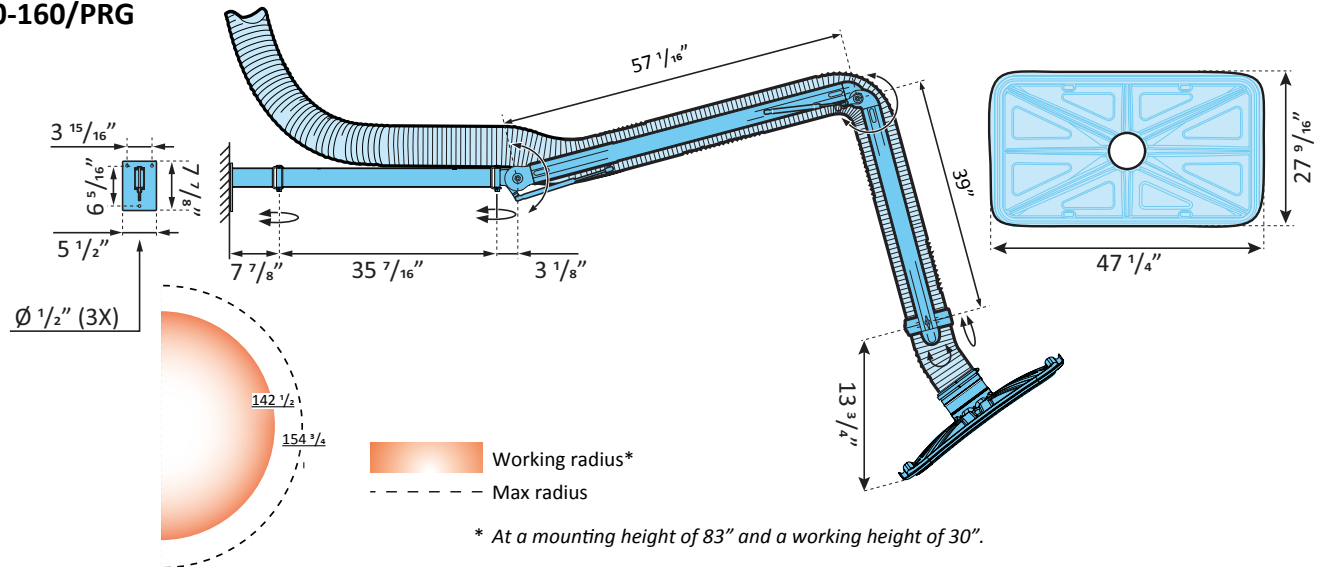
**LOCAL EXTRACTORS**  
**Pure advantages**

**PR 2000-160/PRG  
& PR 3000-160/PRG**

20170824



**PR 4000-160/PRG**



**Technical data hose**

Properties..... Non-inflammable, suitable for welding fumes and flue gases.  
 Temperature range ..... 14° F to 194° F.

**Technical data other standards**

Hood..... PVC  
 Plastic components ..... PA, PA 30%  
 Aluminium components.. Anodised  
 Steel components ..... Black oxidised, chromed or powder coated.  
 Weight ..... PR 2000-160/PRG: 29 lb  
 PR 3000-160/PRG: 33 lb  
 PR 4000-160/PRG: 40 lb

**Hose standard**

PVC coated polyamide fabric with fully embedded spring steel coil.

**Delivery configuration**

The arms are supplied partially assembled, including wall bracket, for ease of installation.

**Accessories**

Brackets for ceiling mounting available in the PR leaflet.

