

Donaldson  
Torit®

## EASY-TRUNK™ AND PORTA-TRUNK™ FUME COLLECTORS

**ULTRA-WEB®**  
High Efficiency Fine Fiber Filters Built to Last



**Easy-Trunk™**



**Porta-Trunk™**

Compact, portable fume collectors effectively filter smoke, dust, and fumes from welding and grinding applications.

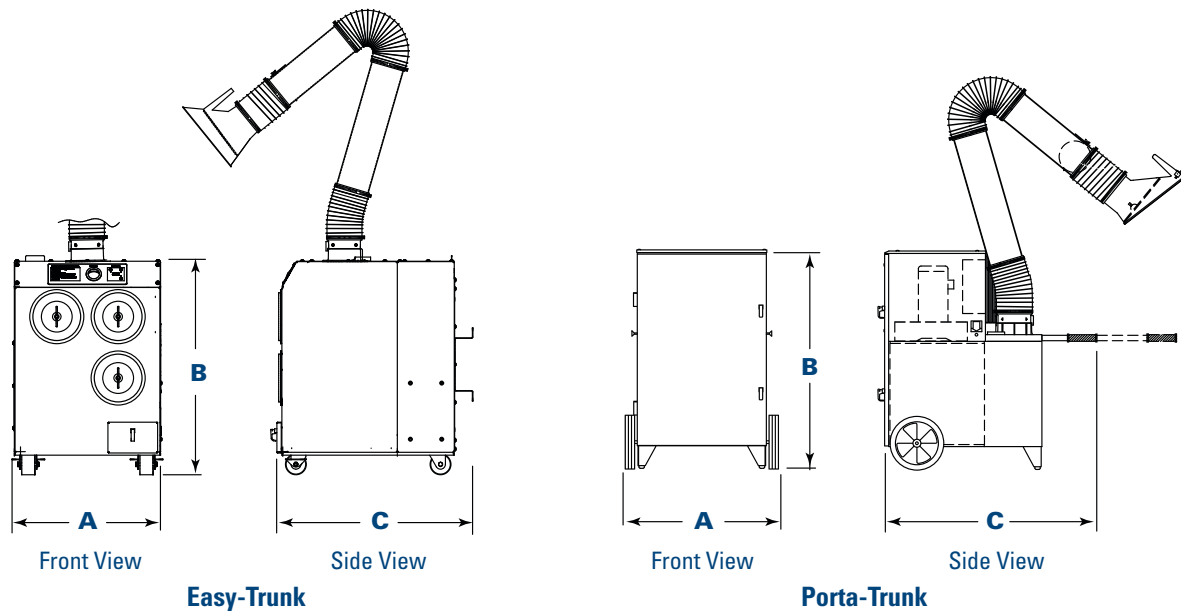
### **EASY-TRUNK™ COLLECTOR**

- For heavier duty or more frequent plant operations
- Built-in pulse filter cleaning system
- Push buttons conveniently located on front of unit and/or on fume hood
- Ultra-Web® fine fiber filters provide high MERV 15 filtration efficiency per ASHRAE 52.2-2007
- “Plug and go” operation
- Fits easily through standard doorway

### **PORTA-TRUNK™ COLLECTOR**

- For light duty or infrequent plant operations
- Static (non-pulsed) filter system
- Operating controls conveniently located on fume hood
- Ultra-Web fine fiber filters provide high MERV 15 filtration efficiency per ASHRAE 52.2-2007
- “Plug and go” operation
- Fits easily through standard doorway

## DIMENSIONS & SPECIFICATIONS



Model	Nominal Airflow**		Motor (hp)	Dimensions						Shipping Weight		Sound Level dB(A)†
				A		B		C				
	cfm	m³/h		in	mm	in	mm	in	mm	lb	kg	
Easy-Trunk	750	1274	1.5	28.0	711.2	40.9	1038.9	38.6	980.4	400	181.4	70
Porta-Trunk	780	1325	1.5	27.5	698.5	40.3	1023.6	35.4	899.2	340	154.2	75

## STANDARD FEATURES & OPTIONS

STANDARD	OPTIONAL
Ultra-Web® FR cartridge filters	Extraction arm: 6 in. x 10 ft. (152.4 mm x 3.0 m)
1.5 hp TEFC motor	* The Minimum Efficiency Reporting Value (MERV) of this filter cartridge has been determined through independent laboratory testing using ASHRAE 52.2 (2007) test standards. The MERV rating was determined at a face velocity of 118 feet (36.0 m) per minute and loading up to four inches (101.6 millimeters) water gauge. Actual efficiency of any filter cartridge will vary according to the specific application parameters. Dust concentration, airflow, particle characteristics, and pulse cleaning methods all affect filtration efficiency. ** Based on clean filters. † Sound level per ANSI S12.34.1988. The actual measured sound level will vary, depending on background noise and room conditions.
115/60/1 voltage	
Extraction arm: 6 in. x 6.5 ft. (152.4 mm x 2.0 m)	
Hood-mounted light with switch	
Fully assembled and wired	
10-year warranty	

### Important Notice

Many factors beyond the control of Donaldson can affect the use and performance of Donaldson products in a particular application, including the conditions under which the product is used. Since these factors are uniquely within the user's knowledge and control, it is essential the user evaluate the products to determine whether the product is fit for the particular purpose and suitable for the user's application. All products, product specifications, availability and data are subject to change without notice, and may vary by region or country.

