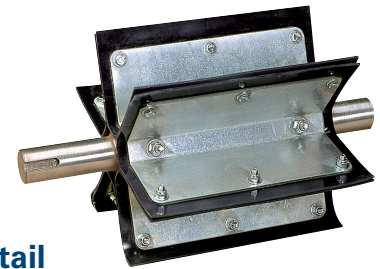




FT Rotary Airlock



Various Models



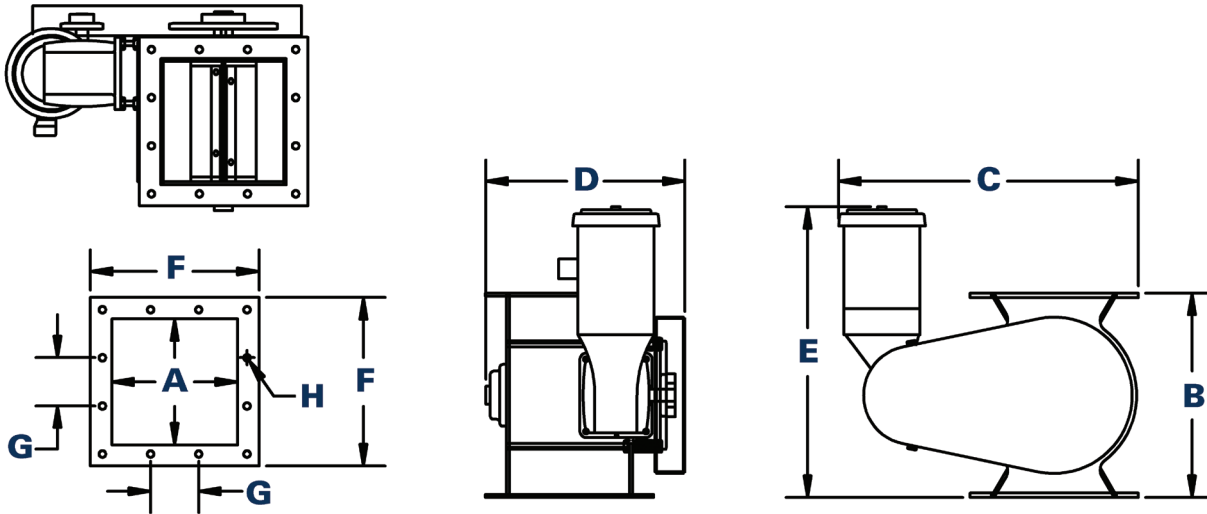
Vane Detail

The Donaldson® Torit® FT series airlock is an excellent choice for most dust filter and cyclone applications. The flexible tip design allows the airlock to handle stringy or fibrous products that jam other types of airlocks. Typical materials include paper, wood products, animal feed and other agricultural products. The flex tip material is also excellent in abrasive applications such as glass cullet and other natural minerals.

STANDARD FEATURES & AVAILABLE OPTIONS

STANDARD	OPTIONAL
Full welded carbon steel construction	Slave drive kit for augers
Flanged inlet and outlet	Adapters for existing flanges
230 / 460 / 60 / 3 TEFC gear motor	Stainless construction
Heavy duty chain drive	Special wiper material
Six vane removable motor	
Replaceable polymer vanes	
Safety blue chain guard	
Standard metal preparation	
Primed and painted industrial white enamel	

FT ROTARY AIRLOCKS



CONFIGURATIONS

MODEL	CFM*	HP	A	B	C	D	E	F	G	H
L10FT	2.7	1	10	17	25	18	24	14	4	$\frac{1}{16}$
L12FT	4.8	1.5	12	21	28	20	26	17 $\frac{1}{4}$	4 $\frac{7}{8}$	$\frac{1}{16}$
L16FT	12.1	3	16	28	38	25	32	22	5	$\frac{1}{16}$
L24FT	40.75	5	24	42	46	33	42	30	5 $\frac{1}{2}$	$\frac{1}{16}$
L36FT	143	7.5	36	62	60	47	62	42	5 $\frac{5}{8}$	$\frac{1}{16}$

* Cubic feet per minute based on 15 rpm and 50% cavity fill. Actual capacity will vary with material conditions.
NOT FOR CONSTRUCTION

Significantly improve the performance of your collector with genuine Donaldson Torit replacement filters and parts. [Browse our catalog at donaldson.com](http://donaldson.com)



Donaldson Company, Inc.
Torit
P.O. Box 1299
Minneapolis, MN
55440-1299 U.S.A.

Tel 800-365-1331 (USA)
Tel 800-343-3639 (within Mexico)

donaldson.com
donaldson.com



Data Sheet FT Rotary Airlocks (08/11)

© 2010 Donaldson Co., Inc. All Rights Reserved. Information in the document is subject to change without notice. Donaldson Torit is a registered trademark of Donaldson Company, Inc. Contains Donaldson proprietary technology.